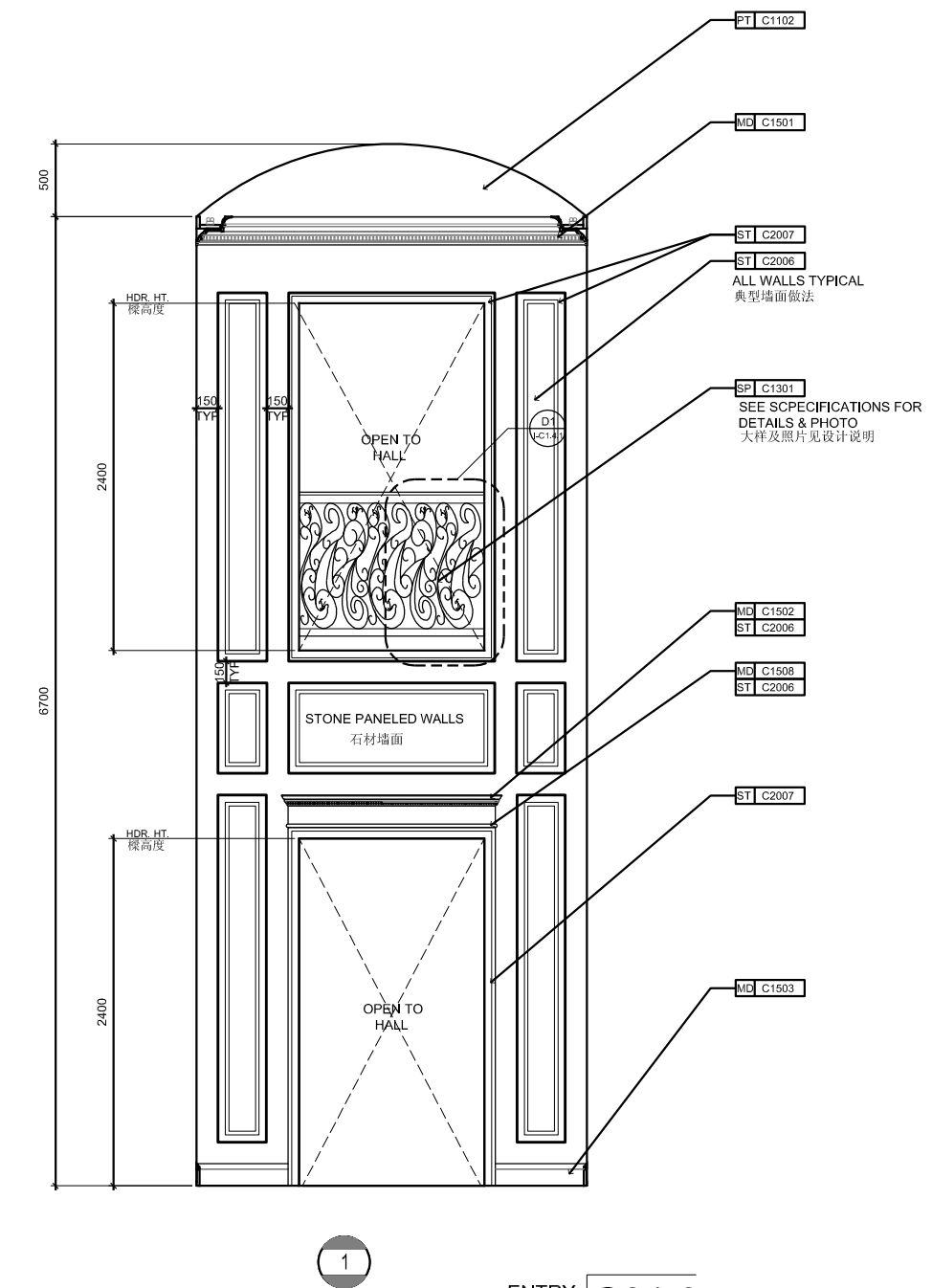
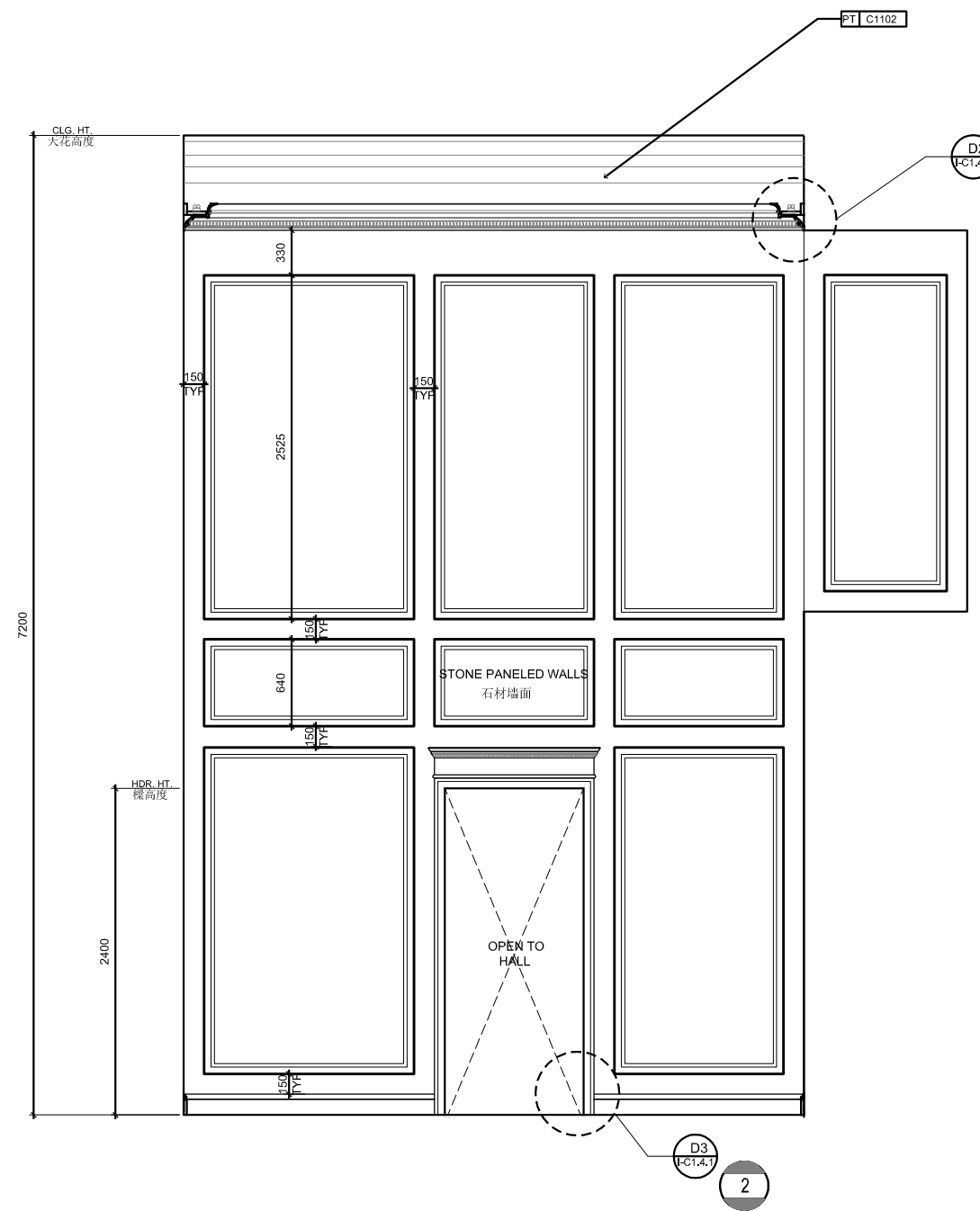
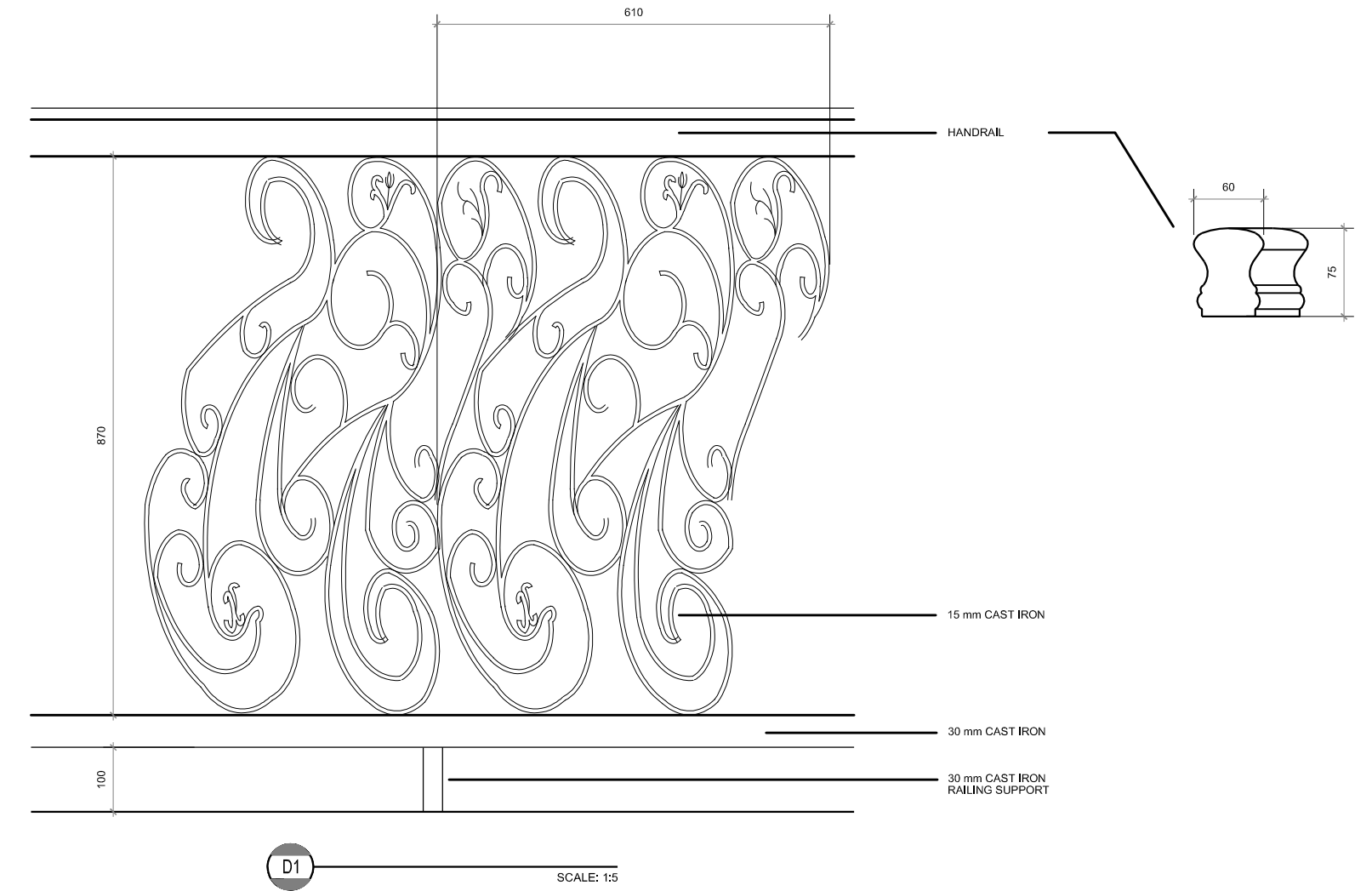
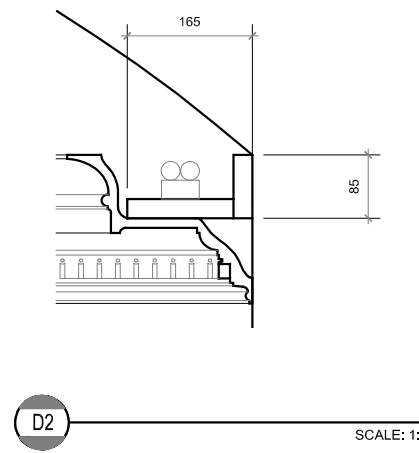
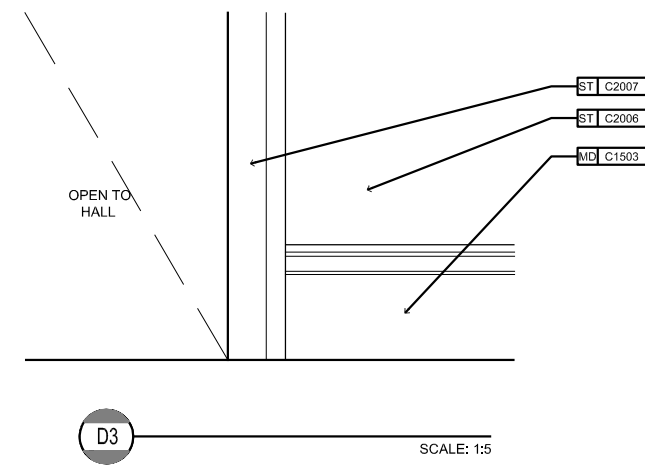


\*REVISED - 121010



FIRST FLOOR ELEVATIONS & DETAILS 首层立面图&详图  
ITALIANTE 意大利

SCALE 1:25

NOTE : REFER TO SEPARATE INTERIOR FINISH SPECIFICATIONS FOR COMPLETE SPECIFICATION OF ALL FINISHES.  
注: 详见附件的室内材料规格和说明书为完整的漆面、木做、墙面、石材面、饰面等的处理之规格和说明。

INTERIOR VILLAS  
WUXIE VERONA MANOR

ZHUJI, CHINA

BASSENIAN

LAGONI

ARCHITECTURE AND LAND PLANNING AND INTERIORS  
2033 Orchard Drive  
Newport Beach, CA 92660  
Ph: 949-553-9300  
Fax: 949-553-0548  
www.bassenianlagoni.com

SHEET TITLE / NO

PLAN 4

ITALIANATE

FIRST FLOOR

ELEVATION &

DETAILS

I-C1.4.1

JOB NUMBER: 647-09157

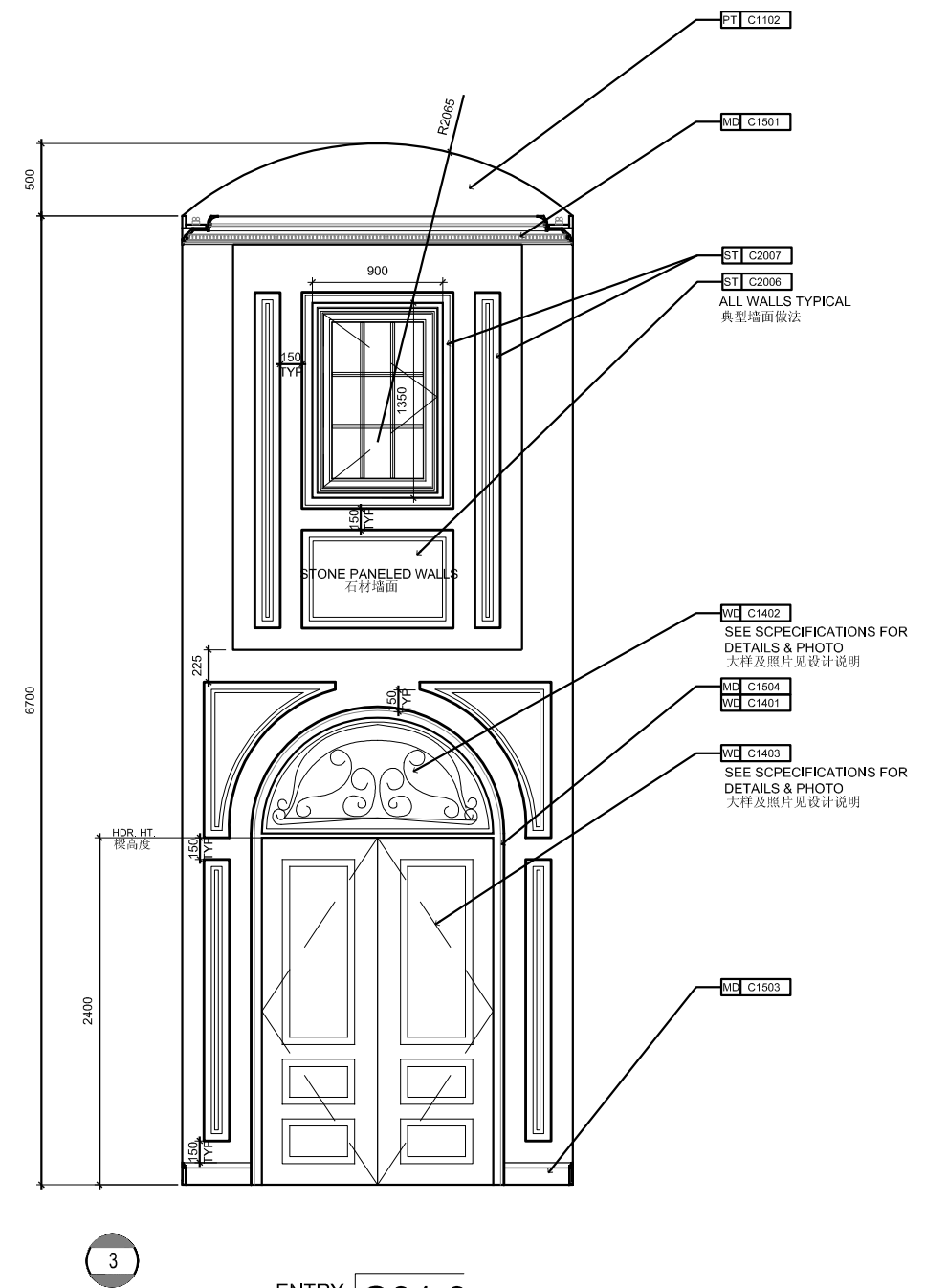
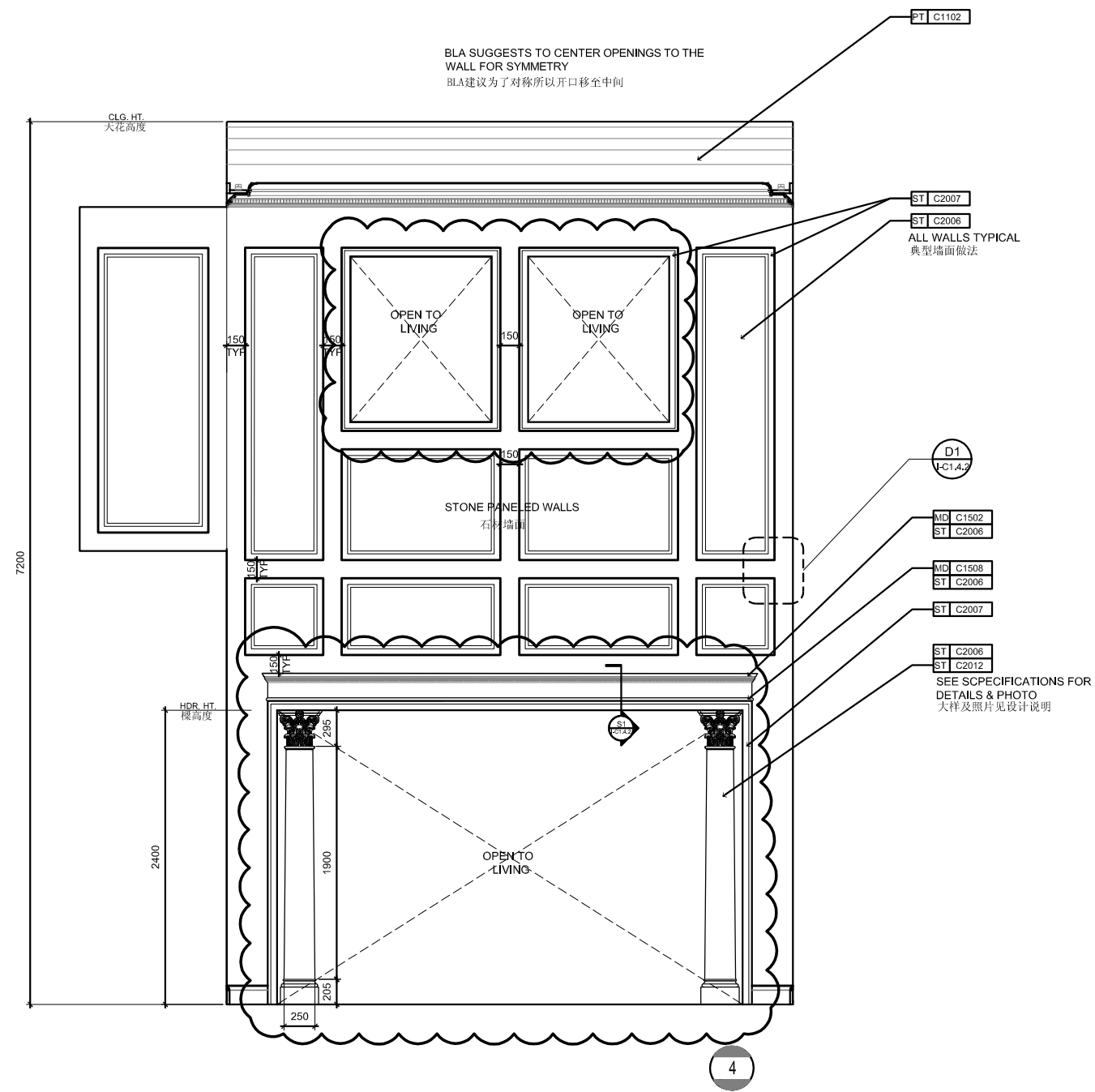
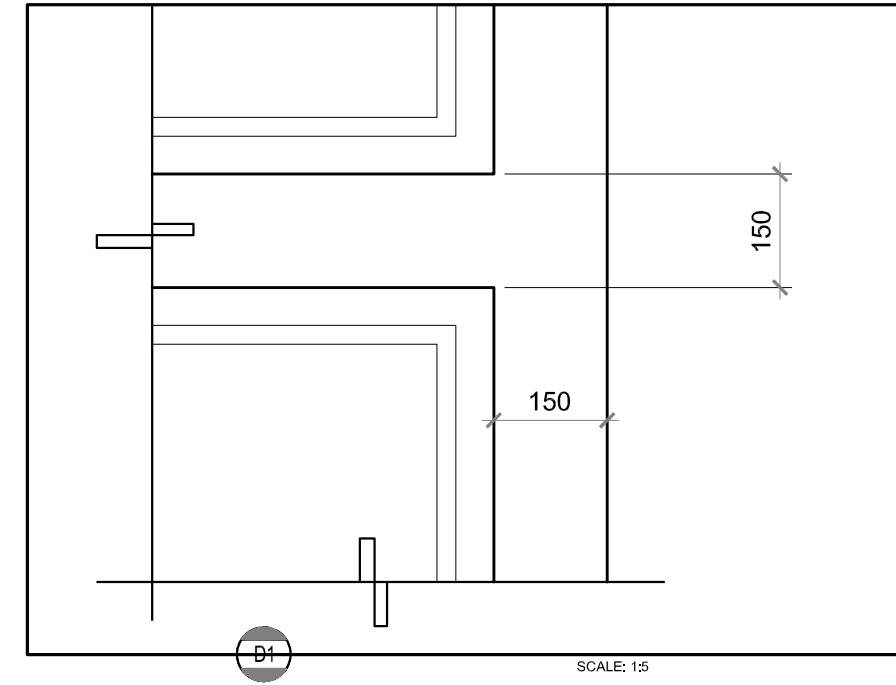
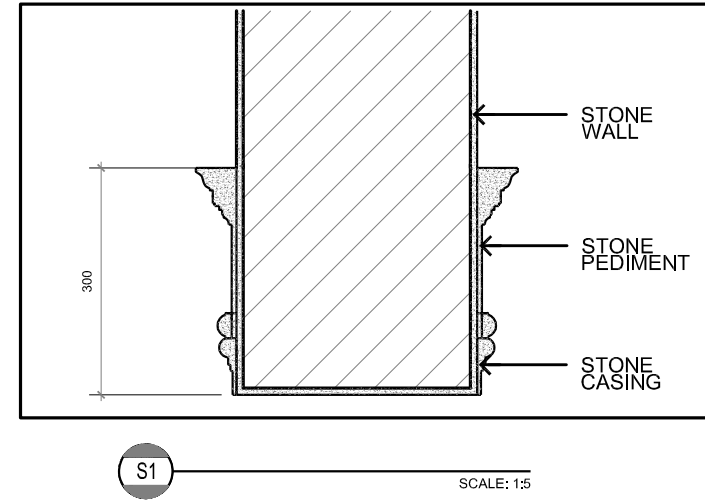
COPYRIGHT © 2010

BASSENIAN LAGONI ARCHITECTS

100% DD REVISION DATE: 12.07.10  
100% DD SUBMITAL DATE: 11.05.10  
REVISION DATE: 10.16.10  
DD SUBMITAL DATE: -05.30.10

PLOT DATE: Friday, December 10, 2010 2:31:40 PM

\*REVISED - 121010



FIRST FLOOR ELEVATIONS & DETAILS 首层立面图&详图  
ITALIANTE 意大利

SCALE 1:25

NOTE: REFER TO SEPARATE INTERIOR FINISH SPECIFICATIONS FOR COMPLETE SPECIFICATION OF ALL FINISHES.  
注: 详见附件的室内材料规格和说明书为完整的漆面、木做、墙面、石材面、饰面等的处理之规格和说明。

INTERIOR VILLAS  
WUXIE VERONA MANOR


ZHUJI, CHINA


**BASSENIAN**  
*Architects*  
**LAGONI**  
ARCHITECTURE AND  
LAND PLANNING AND  
INTERIORS  
2031 Orchard Drive  
Newport Beach, CA  
92660  
Ph: 949-553-9100  
Fax: 949-553-0548  
www.basseniandlagoni.com

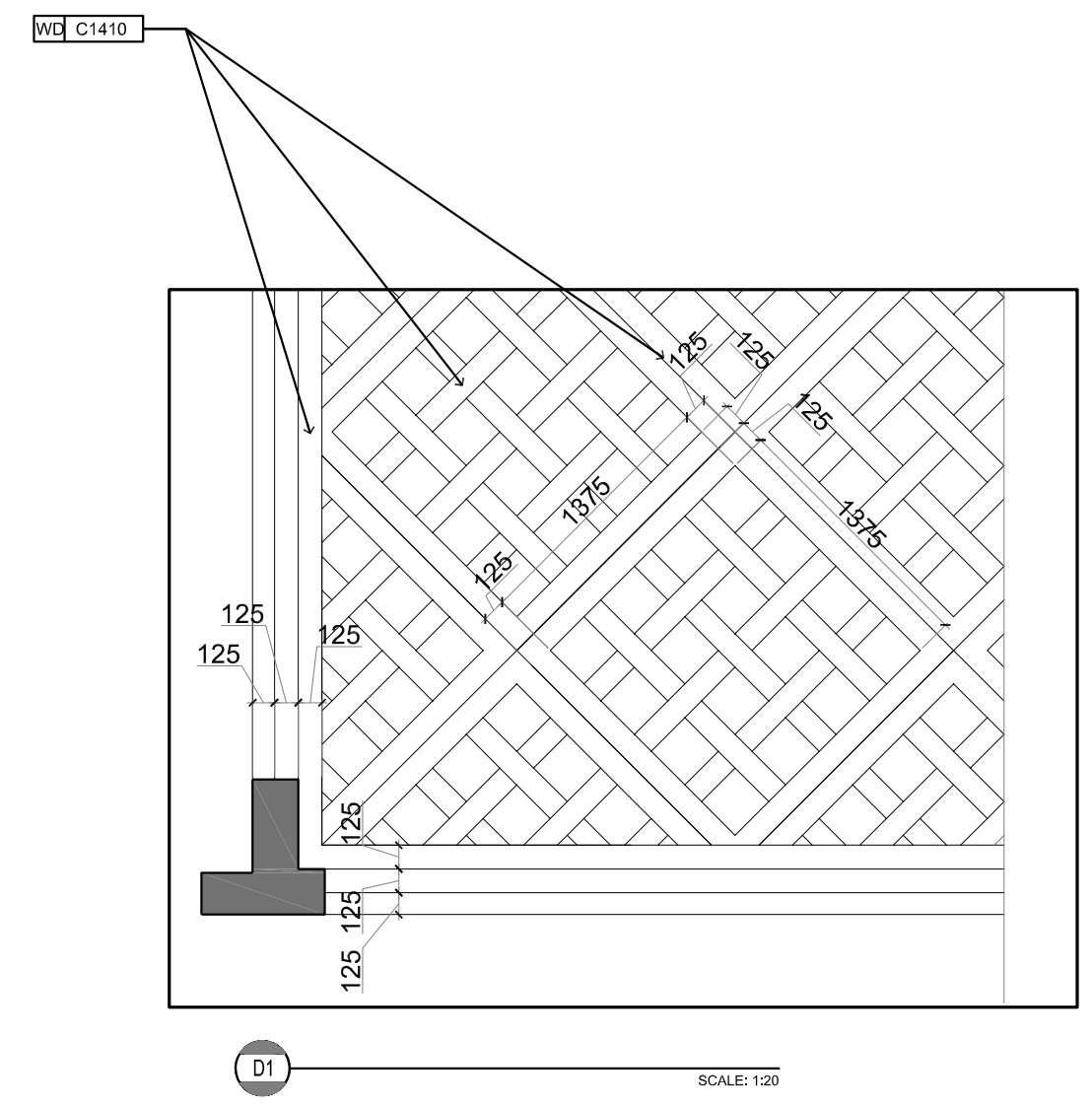
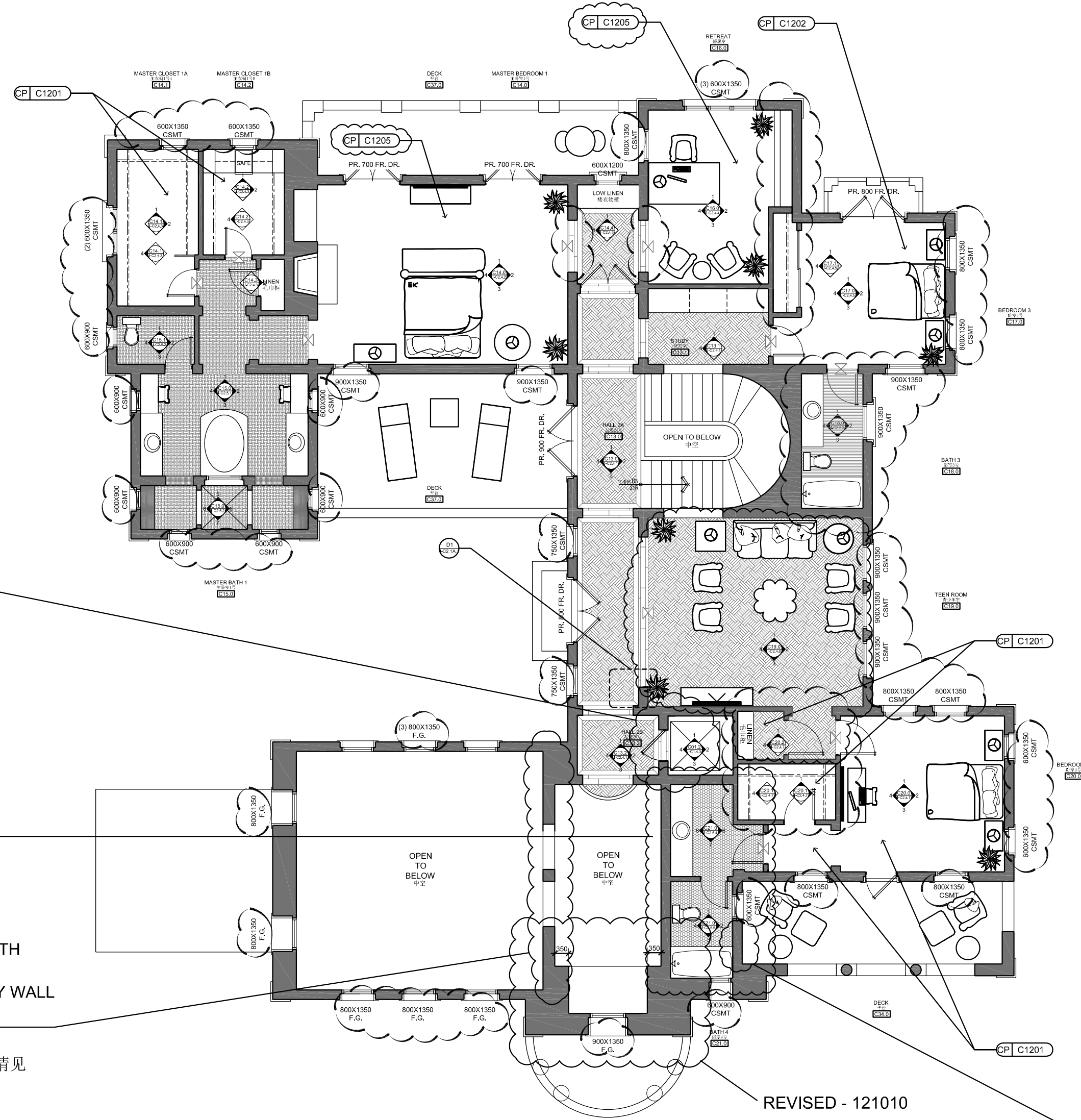
SHEET TITLE/NO  
PLAN 4  
ITALIANATE  
FIRST FLOOR  
ELEVATION &  
DETAILS  
**I-C1.4.2**  
JOB NUMBER: 647-09157  
COPYRIGHT © 2010  
BASSENIAN LAGONI ARCHITECTS

100% DD REVISION DATE: 12.07.10  
100% DD SUBMITAL DATE: 11.05.10  
REVISION DATE: 10.16.10  
DD SUBMITAL DATE: 05.30.10

**LEGEND 图例**

 REVISIONS TO MATCH ARCHITECTURALS  
匹配建筑所做的修正

 BLA SUGGESTED REVISIONS  
BLA 建议的修正



\* BLA SUGGESTS TO KEEP ORIGINAL DOOR SIZE  
\* BLA建议门保持原有的尺寸

\* BLA SUGGESTED LAYOUT  
\* 窗户跟洗手台会有冲突, BLA建议删除窗户

\* BLA SUGGESTS TO FURR OUT WALL TO ALIGN WITH COLUMN  
\* BLA SUGGESTS TO CENTER OPENINGS TO ENTRY WALL FOR SYMMETRY (SEE ENTRY ELEVATION)  
\* BLA建议增加墙的厚度跟柱子对齐  
\* BLA建议为了对称入户厅所以开洞移至入户厅的中心 (请见入户厅立面图)

\* BLA SUGGESTS TO REMOVE WINDOW TO AVOID CONFLICT WITH SHOWER WALL  
\* 建议删除窗户以避免窗户跟淋浴间的墙起冲突

SECOND FLOOR FURNITURE AND FLOORING PLAN 二层家具配置与地板材平面图  
ITALIANTE 意大利

SCALE 1:50

INTERIOR VILLAS  
WUXIE VERONA MANOR

ZHUJI, CHINA

**BASSENIAN**  
*Architects*

**LAGONI**  
ARCHITECTURE AND  
LAND PLANNING AND  
INTERIORS

2031 Orchard Drive  
Newport Beach, CA  
92660  
Ph: 949-553-9100  
Fax: 949-553-0548  
www.basennianlagoni.com

SHEET TITLE / NO.  
PLAN 4  
ITALIANATE  
SECOND FLOOR  
FURNITURE AND  
FLOORING PLAN  
**I-C2.1A.1**

JOB NUMBER: 647-09157

COPYRIGHT © 2010  
BASSENIAN LAGONI ARCHITECTS

100% DD REVISION DATE: 12.07.10  
100% DD SUBMITAL DATE: 11.05.10  
REVISION DATE: 10.16.10  
DD SUBMITAL DATE: 05.30.10